



Part of GE's Sensing & Inspection Technologies business

RHM 12

Standard 1 inch Coriolis Mass Flowmeter

The RHM 12 can measure flow rates up to 100 kg/min (220 lb/min) with temperatures in excess of 400°C and pressures up to 290 bar. This model is truly a reliable solution, manufactured by Rheonik, the mass flowmeter experts.

Applications

Suitable for virtually any mass flow application, such as:

- General flow control
- Batching
- Dosing
- Injections
- Filling

Features

The outstanding features include:

- Suitable for pressure up to 290 bar
- Typical measuring ranges from 1 kg/min to 100 kg/min
- Minimal flows as low as 0.75 kg/min
- Flow Accuracy of 0.1%
- Repeatability better than 0.05%
- Optimised solutions for your batching operation
- Extra compact design with minimal space requirement –ideal for CNG applications–



- EEx Approvals (i.e. ATEX, CSA, ...)
- Custody Transfer Approvals (i.e. PTB, NMI, ...)

Advantages

- No pressure effect – no deterioration of accuracy due to pressure changes by the patented Omega Shape
- Patented torsion swinger design assures longest life time and increased safety (low stress in welds and increased wall thickness against abrasion)
- No moving parts – practically no maintenance
- Removable connection block



General

Owing to its typical flow range (up to 100 kg/min) and wide number of variants, the RHM 12 is suitable for many applications.

This is particularly true for batching/filling applications where this meter will satisfy your requirements. As with all other Rheonik meters, this model is based on the patented Omega tube design with increased signal to noise ratio.

This unique design, which offers excellent performance and reliability, has created the most satisfied customers worldwide. Unlike other mass flowmeter manufacturers, Rheonik uses a patented torsion rod swinger with the Omega shape and support bars which results in high accuracy measurement, which is independent of pressure, even at very low flow velocities. The meter has also extremely good repeatability and high stability for critical applications.

RHM 12 Specifications

Performance RHM 12

Max Flow 100 kg/min (220 lb/min)

Standard Models			
Rates/turndown ratio	in (kg/min)	in (lb/min)	error in % of reading
nominal rate Q_{nom}	75.00	165.34	0.20
$0.2 * Q_{max}$ (5:1)	20.00	44.09	0.20
$0.1 * Q_{max}$ (10:1)	10.00	22.04	0.20
$0.05 * Q_{max}$ (20:1)	5.00	11.02	0.20
$0.02 * Q_{max}$ (50:1)	2.00	4.41	0.50

Typical ΔP in bar (psi)		
1 cP	100 cP	1000 cP
0.7 (10.8)	2.7 (38.1)	24.8 (360)
~ 0.1 (1)	~ 0.7 (9.7)	6.6 (96)
~ 0 (0.3)	~ 0.3 (4.8)	3.3 (47)
~ 0 (0.1)	~ 0.2 (2.4)	1.6 (23)
~ 0 (0)	~ 0 (0.9)	0.6 (9)

Optimized Low Flow Models ^(*) /optimized to be operated between $0.015 * Q_{max}$ and $0.3 * Q_{max}$			
Rates/turndown ratio	in (kg/min)	in (lb/min)	error in % of reading
$0.3 * Q_{max}$ (1:1)	30.00	66.13	0.15
$0.02 * Q_{max}$ (15:1)	2.00	4.41	0.20
$0.015 * Q_{max}$ (20:1)	1.50	3.31	~ 0.50 ^(**)

~ 0.1 (2)	~ 1 (14.6)	9.8 (143)
~ 0 (0)	~ 0 (0.9)	0.6 (9)
~ 0 (0)	~ 0 (0.7)	0.5 (7)

^(*) serial/single path version offers the same accuracy at half the flow ($Q_{max} = 50 \text{ kg/min}$)

^(**) around 0.30 - 0.70 % accuracy depending on the installation conditions

Gold Line Models/application fine tuned meters			
$1 * Q_{nom}$ (1:1)	75.00	165.34	0.10
$0.1 * Q_{nom}$ (10:1)	7.50	16.54	0.12
$0.05 * Q_{nom}$ (20:1)	3.75	8.27	0.15

0.7 (10.8)	2.7 (38.1)	24.8 (360)
~ 0 (0.2)	~ 0.2 (3.6)	2.5 (35)
~ 0 (0)	1.5 (21.7)	1.1 (15)

Repeatability

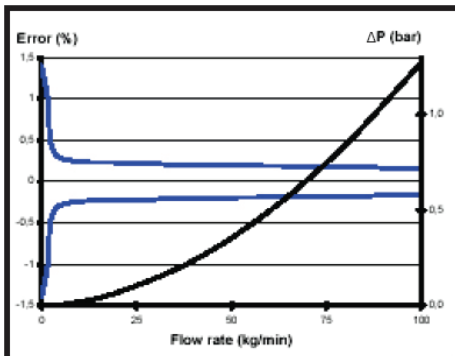
better ± 0.05 % of rate

Density

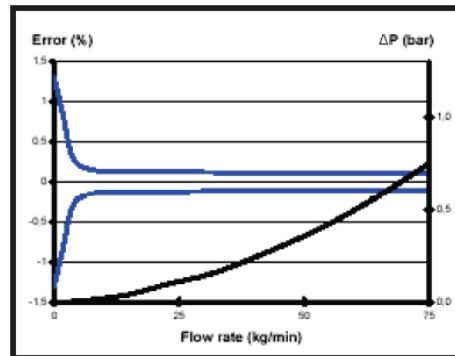
better than $\pm 0.0025 \text{ g/cc}$ - Gold Line: Field adjustable to better $\pm 0.001 \text{ g/cc}$

Temperature

Better $\pm 1^\circ\text{C}$



Standard Models



Gold Line Models

For serial (single pipe/path) sanitary design Q_{max} is 50 kg/min (50%). Data above refer to standard wall thickness.

Error of reading (including zero drift) indications refer to reference conditions H_2O , 18-24°C (66-76°F), 1-3 bar (15-45 psi).

RHM sensor do not suffer from pressure effect due to torsional oscillation and semi circle (non-deforming) measurement section.

Temperature changes of $\pm 25^\circ\text{C}$ around the operating point are negligible.

Pressure drop refers to Newton liquids, with parallel measuring loops and block/manifold connection.

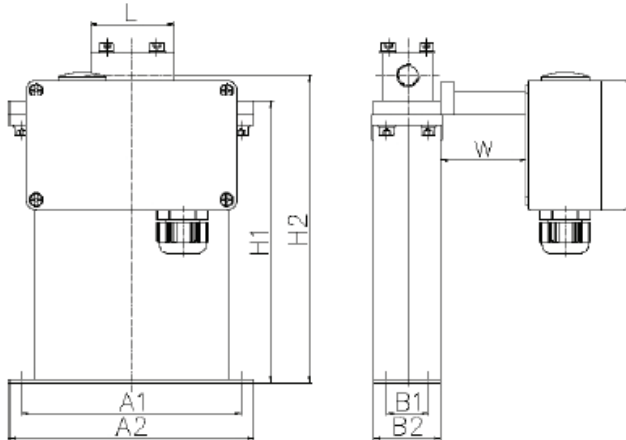
Nominal flow refers to approx. 10 m/s (33 ft/sec) velocity in measuring loops for best performance.

Calibration to customer range, with increased accuracy, possible.

General Outline Dimensions RHM 12

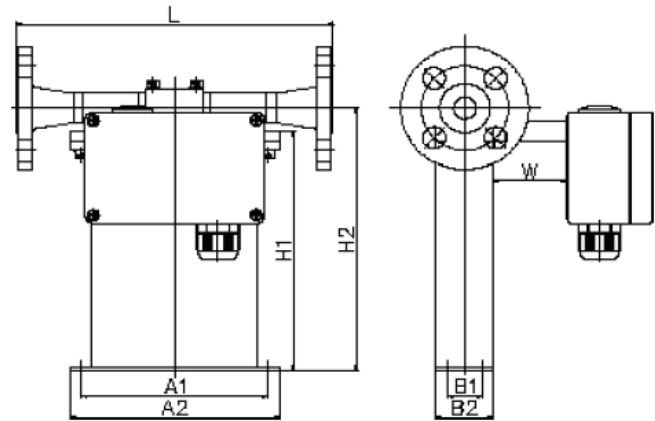
Type I (w/removable manifold block - serial [SM0]/parallel [PM0]/PTFE seals)

Thread Type:



Weight approx. 14 kg (31 lb)

Flange Type:



Weight approx. 16 kg (35 lb)

A1=285 mm (11.22 in) B1=50 mm (1.97 in) H1=454 mm (17.87 in)
 A2=300 mm (11.81 in) B2=70 mm (2.76 in) H2=480 mm (18.90 in)

W = 0 mm for standard temperature models -45/-20°C to 120°C (-49/-4°F to 248°F)
 and W = 150 mm (5.91 in) for extended (ET1, ET2) and high temperature models(*)

Process Connection		Face to Face Length (L) (**)	Order Code
Thread Standard	G ¾ in female	120 mm (4.72 in)	G1
	NPT ¾ in female	120 mm (4.72 in)	N1
Flange Standard	1 in CL 150 acc. ANSI B16.5	400 mm (15.75 in)	A1
	1 in CL 300 acc. ANSI B16.5	400 mm (15.75 in)	A2
	1 in CL 600 acc. ANSI B16.5	400 mm (15.75 in)	A3
	DN25/PN40 acc. DIN 2635 - C	400 mm (15.75 in)	D1
	DN25/PN100 acc. DIN 2637 - E	400 mm (15.75 in)	D2
Flange Optional	1 in CL 900/1500 acc. ANSI B16.5	450 mm (17.72 in)	A6
	DN25/PN160 acc. DIN 2638 - E	400 mm (15.75 in)	D4
Special	1 in JIS flanges	standard - 400 mm (15.75 in)	XX
	Swagelok	standard - 350 mm (13.78 in)	XX
	Novaswiss	standard - 350 mm (13.78 in)	XX

(*) For high temperature models (HT) Type II or Type III preferred - see next pages.
 (**) Customization possible on request.

Our standard seals are PTFE - Manifold block on request available without seals but with brazed connection block.

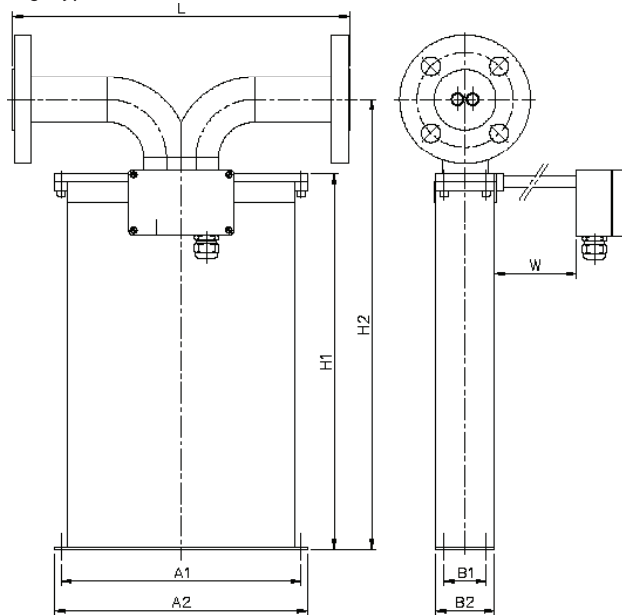
The finish type of our ANSI flanges is RF/SF (AARH 125-250 (µ in) - Ra 3,2 up to 6,3 (µm)). Others available on request.

Above table only shows our general process fittings.
 For further customization with regard to face to face length and special fittings please contact your local agent.

General Outline Dimensions RHM 12

Type II (sealless welded, parallel measuring loops w/o seals [PF_])

Flange Type:

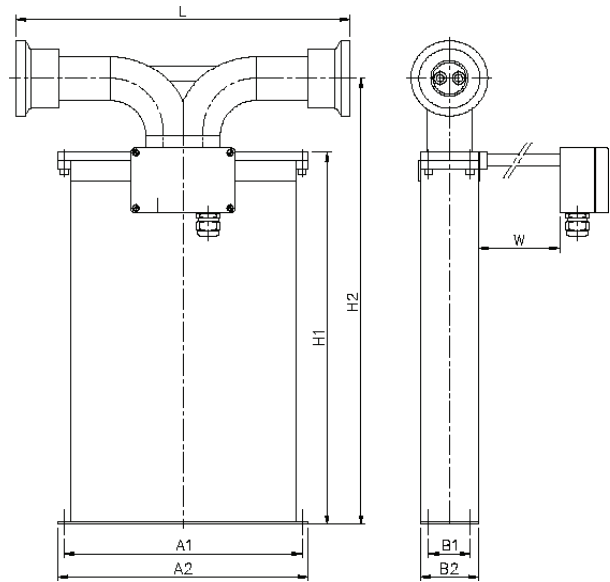


Weight approx. 16 kg (35 lb)

A1=285 mm (11.22 in) B1=50 mm (1.97 in) H1=454 mm (17.87 in)
 A2=300 mm (11.81 in) B2=70 mm (2.76 in) H2=540 mm (21.25 in)

W = 0 mm for standard temperature models -45/-20°C (-49/-4°F to 248°F)
 and W = 150 mm (5.91 in) for extended (ET1, ET2) and high temperature models

Special Fittings:



Weight approx. 16 kg (35 lb)

Process Connection	Face to Face Length (L) (**)	Order Code
Standard	1 in CL 150 acc. ANSI B16.5	400 mm (15.75 in) A1
	1 in CL 300 acc. ANSI B16.5	400 mm (15.75 in) A2
	1 in CL 600 acc. ANSI B16.5	400 mm (15.75 in) A3
	DN25/PN40 acc. DIN 2527 - C	400 mm (15.75 in) D1
	DN25/PN100 acc. DIN 2527 - E	400 mm (15.75 in) D2
Optional	1 in CL 900/1500 acc. ANSI B16.5	400 mm (15.75 in) A6
	DN25/PN160 acc. DIN 2527 - E	400 mm (15.75 in) D3
	Special	G ¾ in female
NPT ¾ in female		360 mm (14.18 in) N1
Swagelok ¾ in tube inlet (SS-1210-1-12W)		500 mm (19.68 in) W1
DN25/PN250 acc. DIN 2527 - E		400 mm (15.75 in) XX
1 in JIS flanges		standard - 400 mm (15.75 in) XX
Grayloc or equivalent hubb		standard - 400 mm (15.75 in) XX

(*) Customization possible on request.

The finish type of our ANSI flanges is RF/SF (AARH 125-250 (µinch) - Ra 3,2 up to 6,3 (µm)). Others available on request.

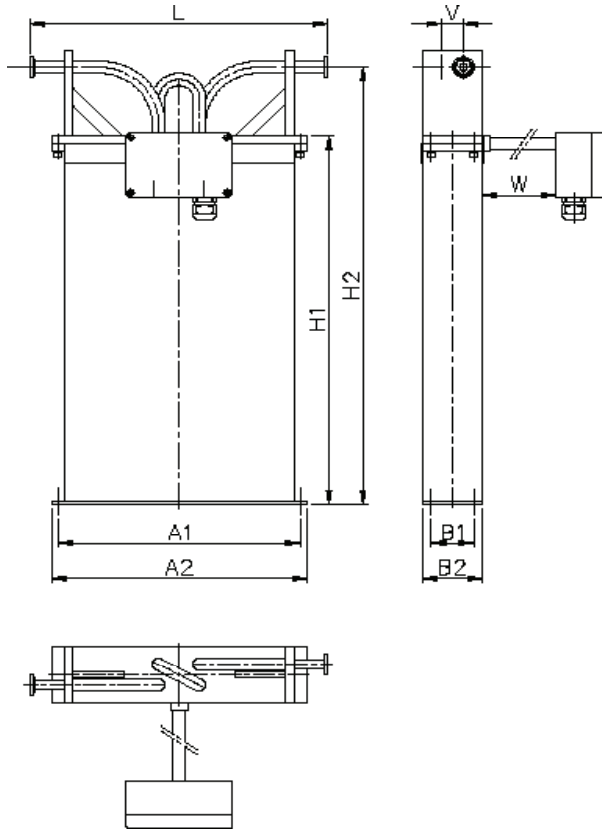
Above table only shows our general process fittings.

For further customization with regard to special fittings and face to face length please contact your local agent.

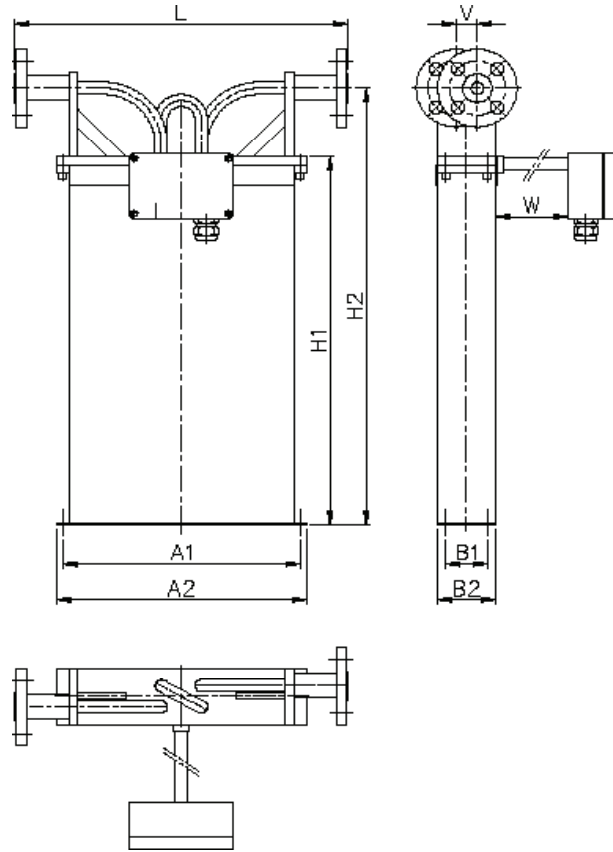
General Outline Dimensions RHM 12

Type III (sealless welded, serial measuring loops - single path w/o seals [SF0])

Sanitary Fittings:



Flange/Other Fittings:



A1=285 mm (11.22 in) B1=50 mm (1.97 in) H1=454 mm (17.87 in)
 A2=300 mm (11.81 in) B2=70 mm (2.76 in) H2=540 mm (21.25 in)
 V=26 mm (1.02 in)

W = 0 mm for standard temperature models -45/-20°C to 120°C (-49/-4°F to 248°F)
 and W = 150 mm (5.91 in) for extended (ET1, ET2) and high temperature models

Process Connection	Face to Face Length (L) (*)	Order Code
Sanitary Fittings (**)	1 in Tri Clamp acc. DIN 32676	350 mm (13.78 in) S0
	DN20/Sanitary acc. DIN 11851	350 mm (13.78 in) S2
Flange Other Fittings	1 in CL 150 acc. ANSI B16.5	400 mm (15.75 in) A1
	1 in CL 300 acc. ANSI B16.5	400 mm (15.75 in) A2
	DN25/PN40 acc. DIN 2527 - C	400 mm (15.75 in) D1
	Swagelok	standard - 230 mm (9.06 in) XX

(*) Customization possible on request.

(**) Fitting material is 1.4435/SS 316L (Tri Clamp acc. DIN 32676) and 1.4301/SS 304 (Sanitary connection acc. DIN 11851).

The finish type of our ANSI flanges is RF/SF (AARH 125-250 (µinch) - Ra 3,2 up to 6,3 (µm)). Others available on request.

Above table only shows our general process fittings.

For further customization with regard to special fittings and face to face length please contact your local agent.

General Specifications RHM 12

Approvals

- ATEX (CESI 02 ATEX 053 X): Ex II 1 G, EEx ia IIC T6-T1
- CSA (220705) Class I, Div 1 and 2, Groups A, B, C and D; Type 3
- Custody Transfer Approvals (PTB 1.32-97027224 and NMI TC 3382)
- PED according to directive 97/23/EC available
- 3A Sanitary Approvals

Electrical Connection

- Junction box/aluminium coated (standard) IP 65 (Nema 4X) (Junction box in SS optional)
- Cable entry M25 x 1.5 (M20 x 1.5, ½ in and ¾ in NPT optional)
- Max cable length between RHM and RHE: 100 m (330 ft) 200 m (660 ft) only with factory approval

Housing

- Stainless Steel: 1.4301/SS 304
- others on request -
- Protection class: IP 65 (Nema 4X)
- higher on request -

Material of Wetted Parts

- 1.4571/SS 316Ti (standard)
- 1.4539/SS 904L on request
- Hastelloy C22 on request
- Tantalum on request
- Other material on request

Pressure Rating

- Pressured part of the meter consists of the measuring loops and the connection part. The weaker of both parts decides the maximum allowed operating pressure. Below is the max. operating pressure of the measuring loops(*).

() These values are only valid for SS 316Ti & SS 904L materials. Statements for others materials on request.*

- **Standard Version:**

190 bar @ 120°C (2755 psi @ 248°F)
150 bar @ 210°C (2175 psi @ 410°F)
120 bar @ 350°C (1740 psi @ 662°F) wall thickness is generally 1.0 mm (0.04 in)

- **Optional high pressure version:**

290 bar @ 120°C (4205 psi @ 248°F) wall thickness is generally 1.5 mm (0.06 in)

- **Extremely high pressure**

- on request -

Temperature Rating

- NT Models from -20°C to 120°C (-4°F to 248°F)
- ET Models from -45°C to 120°C (-49°F to 248°F)
- ET1 Models from -200°C to 50°C (-328°F to 122°F)
- ET2 Models from -45°C to 210°C (-49°F to 410°F)
- HT Models from 0°C to 350°C (32°F to 662°F)

Order Code RHM 12

Order Code Structure

The order code of the Rheonik Sensors consists of 6 sections (see previous pages/below). Restrictions of combinations may apply. For specials, please comment your needs in plain text/sketches.

RHM 12

Temperature Rating

- T1** NT Models (Normal Temperature Models) from -20°C to 120°C (-4°F to 248°F)
- TA** ET Models (Extended Temperature Models) from -45°C to 120°C (-49°F to 248°F)
- T2** ET2 Models (Extended Temperature Models) from -45°C to 210°C (-49°F to 410°F)
- T3** ET1 Models (Extended Temperature Models) from -200°C to 50°C (-328°F to 122°F)
- T4** HT Models (High Temperature Models) from 0°C to 350°C (32°F to 662°F)

Pressure Rating

- P1** Standard pressure version (190 bar @ 120°C/2755 psi @ 248°F) - page 6 -
- P2** High pressure version (290 bar 120°C/4205 psi @ 248°F) - page 6 -
- PX** Extremely high pressure version (on request) - page 6 -

Construction Type

- PM0** Parallel Measuring Loops with removable Block/Manifold and PTFE Seals - page 3 -
- SM0** Serial Measuring Loops with removable Block/Manifold and PTFE Seals - page 3 -
- PF_** Parallel Measuring Loops Seal Less Welded Version - page 4 -
- SF0** Serial Measuring Loops Seal Less Welded Version/Single Path - page 5 -
- XXX** Other construction type on request

Material of Wetted Parts

- M1** 1.4571/SS 316Ti
- M2** 1.4539/SS 904L
- M3** Hastelloy C22
- M4** Tantalum

Process Connection

- XX** Code available on pages 3, 4 and 5.

Hazardous Area Approvals

- NN** Without Ex Approvals
- AT** ATEX Approvals (CESI 02 ATEX 053 X) - Ex II 1 G, EEx ia IIC T6-T1
- CS** CSA Approvals (220705) - Class 1, Div 1/Group A, B, C, and D; Type 3

RHM 12 [] - [] - [] - [] - [] - [] - []

Order Code Example

M#12 T1 P2 PM0 M1 G1 AT

- T1:** NT (Normal Temperature Models) from -20°C to 120°C (-49°F to 248°F)
- P2:** High pressure version (290 bar @ 120°C/4205 psi @ 248°F)
- PM0:** Parallel Measuring Loops with removable Block/Manifold and PTFE Seals
- M1:** 1.4571/SS 316 Ti
- G1:** Female Thread G ¾ in
- AT:** ATEX Approvals (CESI 02 ATEX 053 X)

M #12 - [] - [] - [] - [] - [] - [] - []



www.gesensinginspection.com

920-000-01