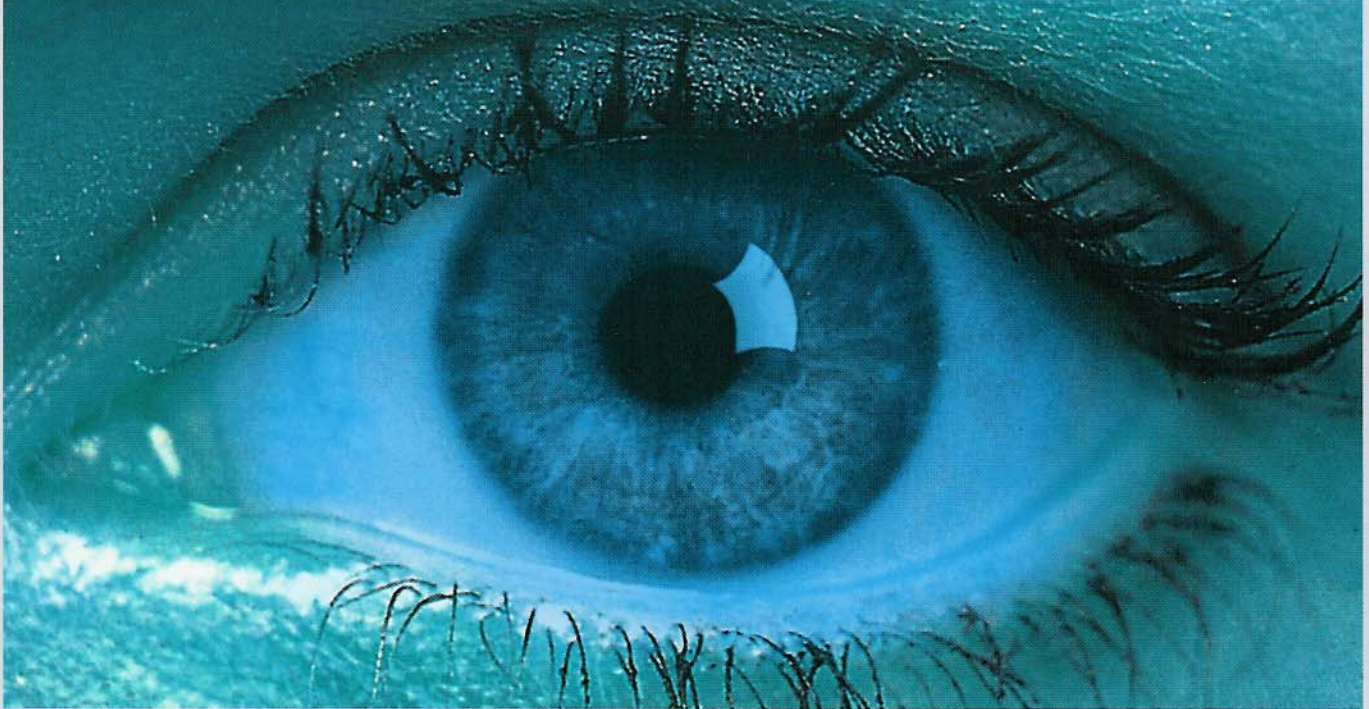


Quality needs Control



Coating Thickness Meters MEGA-CHECK



New: Scan-Function



Coating Thickness Meters

MEGA-CHECK

The MEGA-CHECK generation sets a new standard in Coating Thickness Measurement. The devices use the most advanced electronic technology to offer unsurpassed accuracy and even more comfortable operation. Outstanding features of the new MEGA-CHECK line are the followings:

- **NEW ! Scan-Function** on rough surfaces. The probe scans over the surface, takes about 20 measurements per sec. and automatically displays the mean value
- **Graphic LCD display, backlight**
- **Duplex value indication** of coatings on galvanized objects (Coating/NF/F)
- **A wide selection of new developed measuring probes** on ferrous substrate (magnetic induction) or non-ferrous metals (eddy current) and twin-function probes including both measuring techniques
- **Micro probes** to measure on small surfaces down to 1.5 mm Ø
- **Special probes** can swing by 90°, the probe can be set in a vertical position or measure inside pipes and in other inaccessible places.

These are only some of a number of advantages the new MEGA-CHECK range offers. More features and technical data are compiled in the tables on pages 3 and 4.

FUNCTION

The Coating Thickness Meters MEGA-CHECK work on steel on the magnetic induction technique to measure all non-magnetic coatings, i.e. varnish, paint, plastics, rubber, enamel, ceramics and galvanizing (chrome, zinc, brass, aluminium, bronze, copper, except nickel). On non-ferrous metals, i.e. aluminium, brass, bronze, copper, zinc and non-magnetic steel V2A-V4A non-conductive coatings can be measured according to the eddy current technique.

The Coating Thickness Meters are used in nearly all industrial sectors: motorcar, ship, tank and vessel construction, varnishing and galvanizing plants, government authorities, experts offices etc.



MEGA-CHECK 5F

Practical and easy to operate device with fixed probe F-5 for measuring coatings on steel up to 5 mm.



MEGA-CHECK 5F-ST

See model 5F. Additional Features:

- Memory for 500 readings
- Statistics and interface RS 232.



MEGA-CHECK 5FN-ST

With fixed probe FN-52A for measuring coatings up to 5 mm on steel (F) and 2 mm on non-ferrous metals and non-magnetic steel (N).

- Memory for 500 readings, statistics and interface RS 232.



MEGA-CHECK 10-ST

All types of probes (pluggable) can be used.

- Scan-Function on rough surfaces
- Memory for 2000 readings
- Statistics and interface RS 232
- Display of all readings stored.



MEGA-CHECK 20-ST

See model 10-ST

Additional Features:

- Max. 100 application memories
- Graphic-LCD display
- Backlight for low ambient conditions
- Duplex value indication (Coating/NF/F)
- Reference value setting
- Listing with date and time.
- Statistics can be displayed



*The human eye - symbol of our job:
Guaranteeing quality through surveillance. Perfect in
function and technology. Open to everything new,
recognizing changes in due time and responding to
them shrewdly. Success is visible.*

Measuring Probes

The F-Probes work exclusively on the magnetic induction technique to measure non-conductive coatings and galvanizing (except nickel) on ferrous base material.

The N-Probes work on the eddy current technique and measure only on non-ferrous base material.

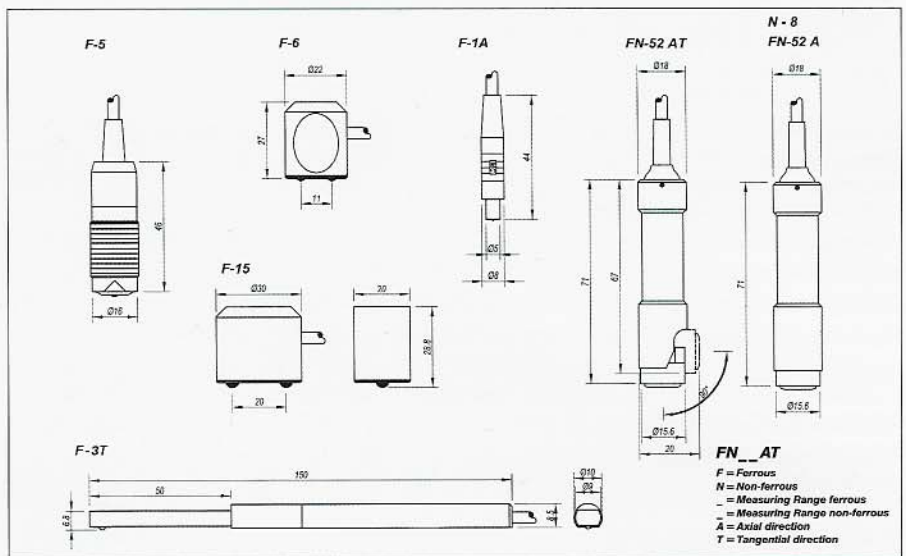
The FN-Probes are twin-function probes. They work both on the magnetic induction and eddy current technique to measure on ferrous and non-ferrous base materials. The FN-Probes can also be used to measure coatings on galvanized objects.



Swinging Probe FN-52AT



Measurement on small objects with Probe F-1A



Technical Data

Type	Measuring Technique	Description	Range	Smallest area	Smallest curvature radius convex	Smallest curvature radius concave
F-5	magnetic-induction	Standard-Probe spring-loaded (ferrous)	0-5000 µm	Ø 4 mm	2 mm	20 mm
F-6	magnetic-induction	Special two-pole probe compensated against external magnetic fields (ferrous)	0-6.5 mm	Ø 14 mm	4 mm	30 mm
F-1A	magnetic-induction	Special probe for small objects (ferrous)	0-200 µm	Ø 1.5 mm	1 mm	6 mm
F-3T	magnetic-induction	Special probe to measure inside of pipes and slots (ferrous)	0-3000 µm	Ø 4 mm	2 mm	6 mm
F-15	magnetic-induction	Special probe for thick layers	0-15 mm	Ø 25 mm	10 mm	60 mm
N-8	eddy current	Special probe for thick layers	0-8 mm	Ø 8 mm	8 mm	38 mm
FN-52A	magnetic-induction + eddy current	Twin-function probe spring-loaded (ferrous + non ferrous).	F 0-5000 µm N 0-2000 µm	Ø 6 mm	F 4 mm N 6 mm	F 38 mm N 38 mm
FN-52AT	magnetic-induction + eddy current	Twin-function probe with swinging facility by 90° (ferrous + nonferrous).	F 0-5000 µm N 0-2000 µm	Ø 6 mm	F 4 mm N 6 mm	F 38 mm N 38 mm



Features and Technical Data

Function	5F	5F-ST	5FN-ST	10-ST	20-ST
Measurement of paint, varnish, plastics and galvanizing on iron and steel	X	X	X	X	X
Measurement of insulating coatings (paint, varnish, plastics, anodizing on non-ferrous metals)	-	-	X	X	X
Measuring Range	0-5000 μm	0-5000 μm	F 0-5000 μm N 0-2000 μm	see Probe Table	
Resolution: 1-100 μm : 0.1 μm > 100 μm : 1 μm > 2000 μm : 0.01 mm	X	X	X	X	X
Accuracy: below 100 μm : $\pm 1 \mu\text{m}$ 100-1000 μm : 1 % 1000-2000 μm : $\pm 3 \%$ above 2000 μm : $\pm 5 \%$	X	X	X	X	X
Available Probes	F-5	F-5	FN-52A	all types of Probes	
Battery Indication (9V IEC 6 LF 22) Rechargeable 9V battery on request	X	X	X	X	X
Two-point Calibration	X	X	X	X	X
Scan-Function	-	-	-	X	X
Automatic Switch-off	X	X	X	X	X
Conversion μm - mils	X	X	X	X	X
Memory	-	500 readings	500 readings	2000 readings	2000 readings
Application Memories	-	1	1	1	max. 100
Statistics (MAX. MIN. MEAN. No. STD.DEV.)	-	X	X	X	X also on the display
Display of readings stored	-	-	-	X	X
Histogram	-	-	-	-	X
Beep for readings below or above limit value	-	-	-	-	X
Duplex Value Indication	-	-	-	-	X
Interface RS 232 C	-	X	X	X	X
Graphic display with backlight	-	-	-	-	X
Dimensions	160 x 80 x 27 mm				
Weight	150 g				

Standards: ISO 2178/ISO 2360



LIST-MAGNETIK

Dipl.-Ing. Heinrich List GmbH

D-70771 Leinfelden-Echterdingen

Max-Lang-Straße 56/2

Phone (+49) 7 11 90 36 31-0

Fax (+49) 7 11 90 36 31-10

E-Mail: list-magnetik@t-online.de

Internet: www.list-magnetik.de

Optional

- Data Printer incl. connecting cable and charger



- Software Data TRANSFER (Win. 95+98+NT)

- Graphic evaluation Software STAT-6 (Win. 95+98+NT) incl. interface cable



- Leather case with strap

- Carrying Plastic Case for MEGA-CHECK 5FN-ST/10-ST/20-ST together with Data Printer

